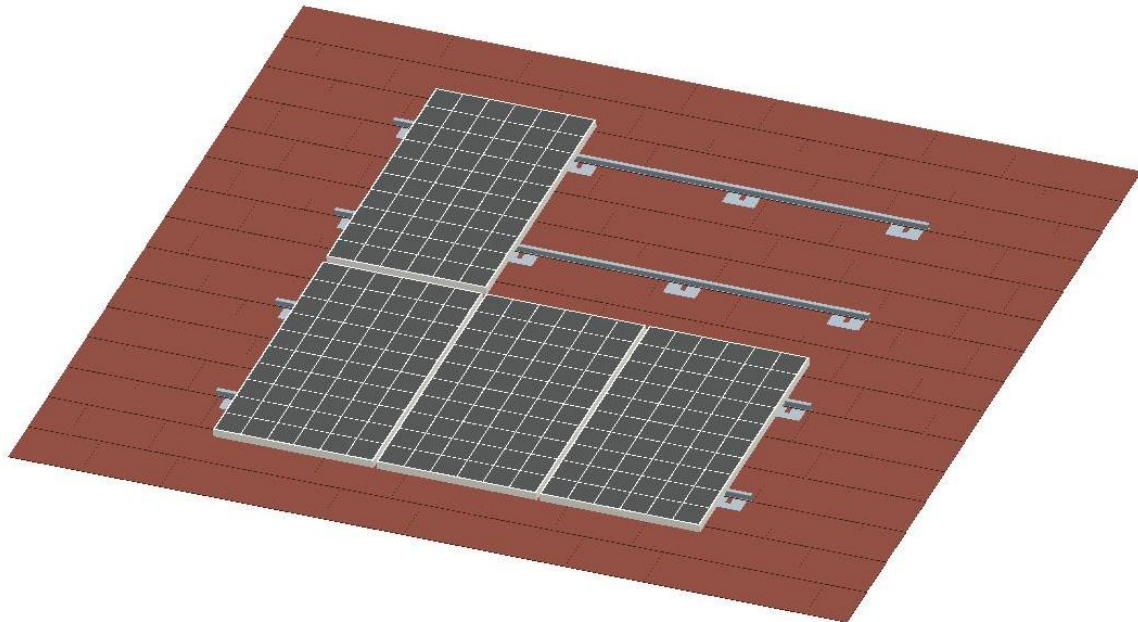


LI Shingle Roof System Installation Manual

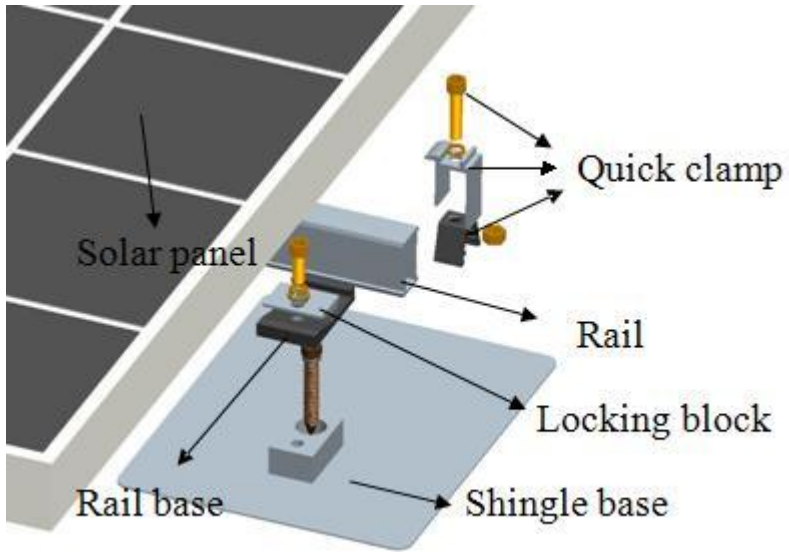


LI Shingle Roof System uses a shingle base, which is a better solution for shingle roof systems than a base-standoff – saving cost, time and energy. The unique design of combining the base and flashing into one product not only fixes the rail on the roof but also solves the insulation problem. Thus the installation of the whole system is simplified. In addition, the rubber ring used on the shingle base reinforces the seal, ensuring proper insulation from the elements. The meticulous design of our mounting systems and warranty-covered components will offer peace of mind and satisfaction.

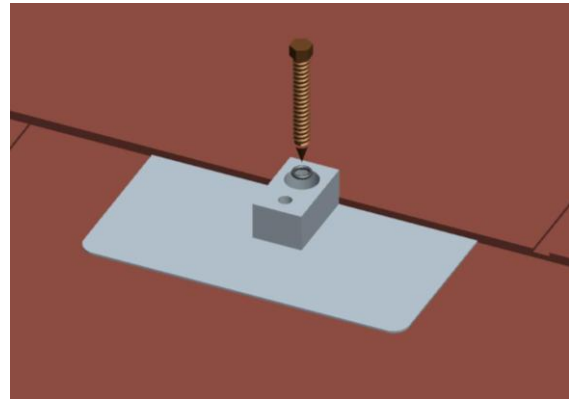
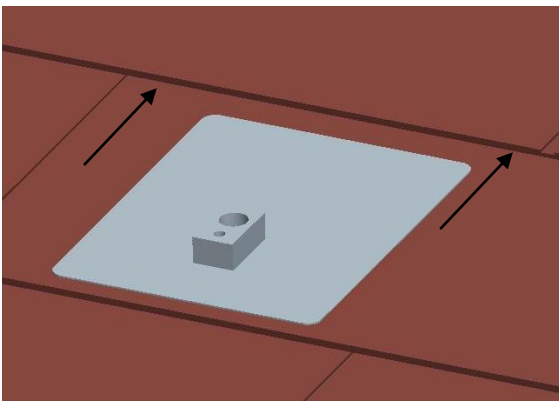
Benefits

- * Firmly fixing the shingle base directly onto the rafter and our superior design protect the mounting system from severe weather.
- * Quick-Clamps can be attached at any location on the rails to fasten the solar panels.
- * A reliable leakage protection system and unique base design solve insulation problems and also reinforce the seal.
- * Complete technical support and friendly after-sales service.

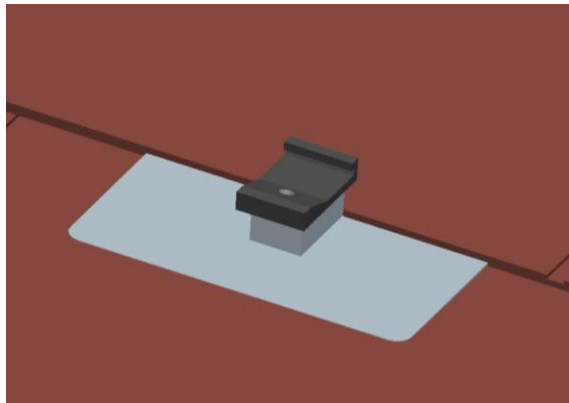
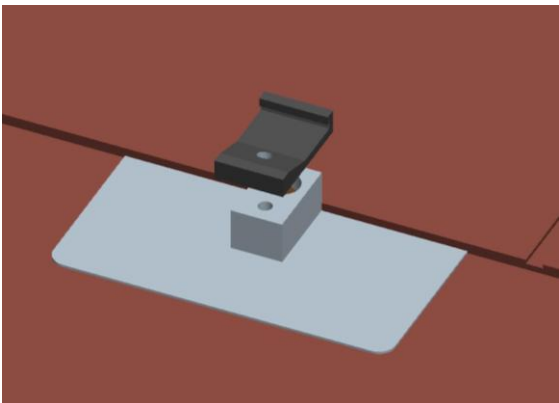
Components



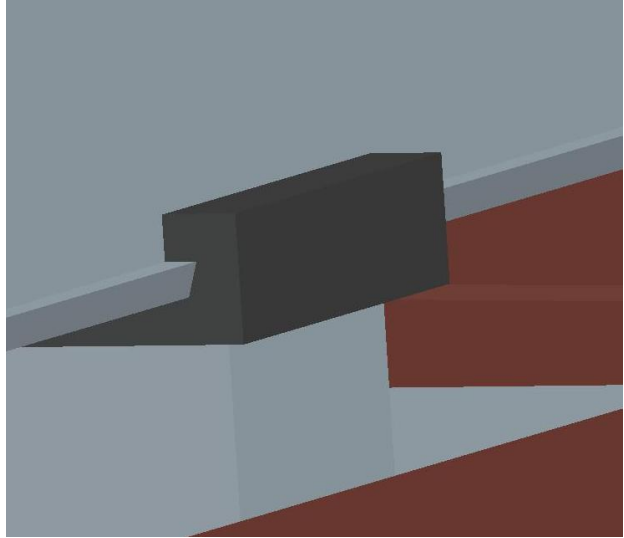
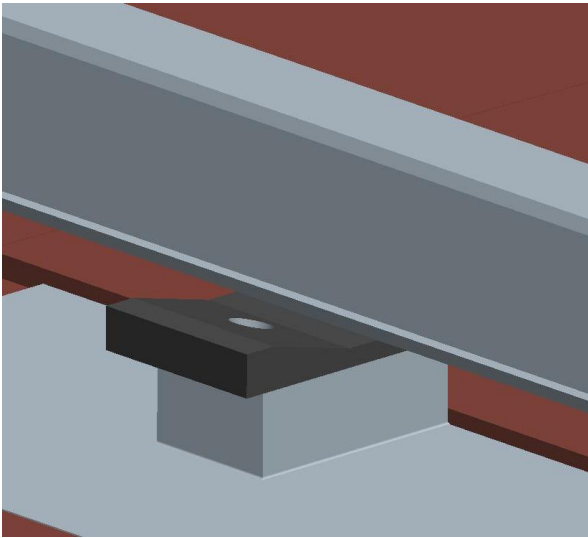
Installing LI Shingle



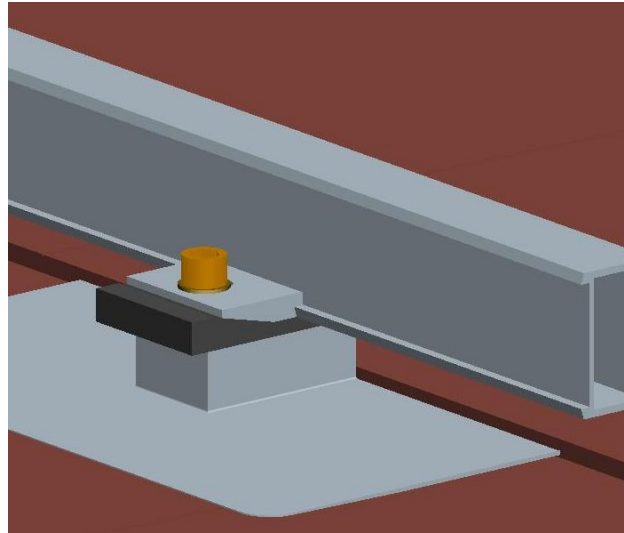
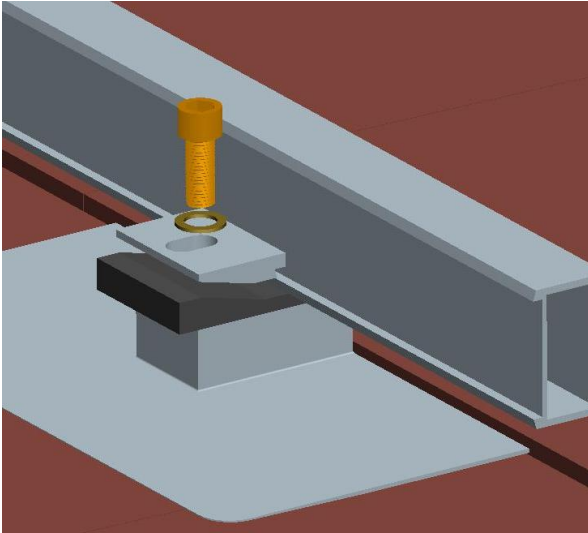
1. Slide shingle base under the respective shingle and fix it by placing a screw and a seal ring.



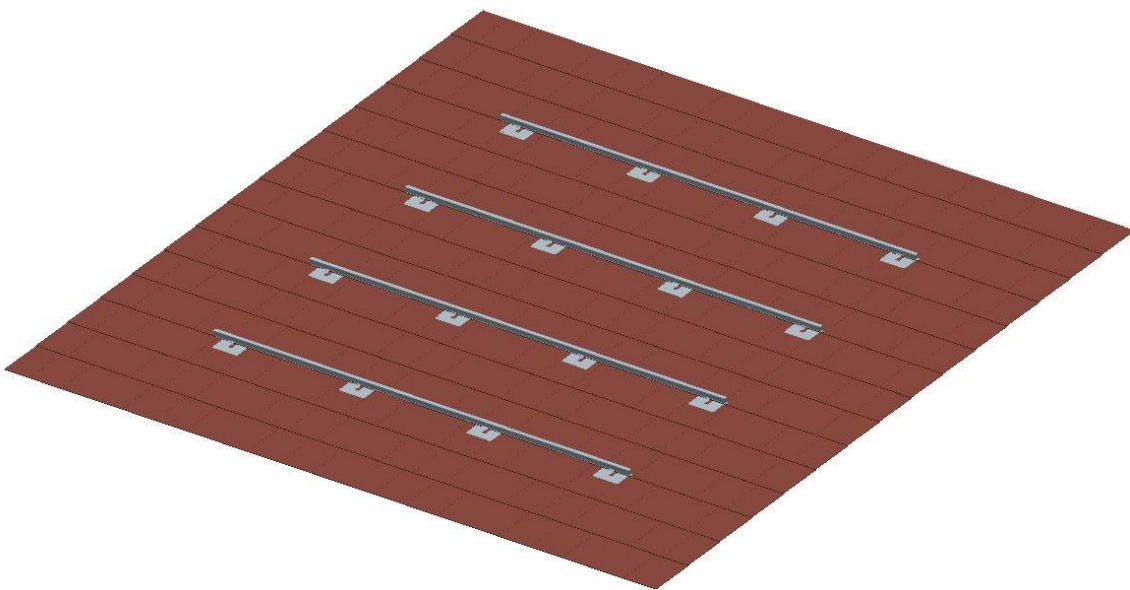
2. Put the rail base on the shingle base.



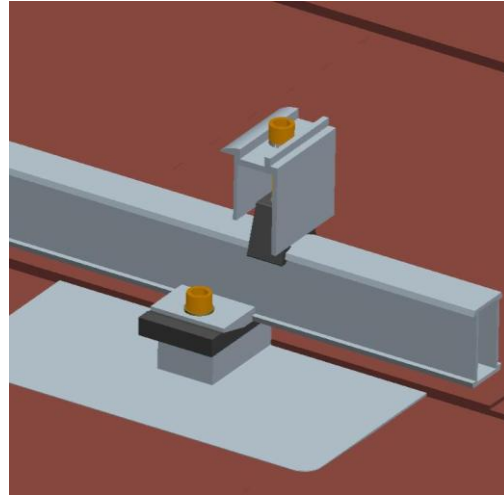
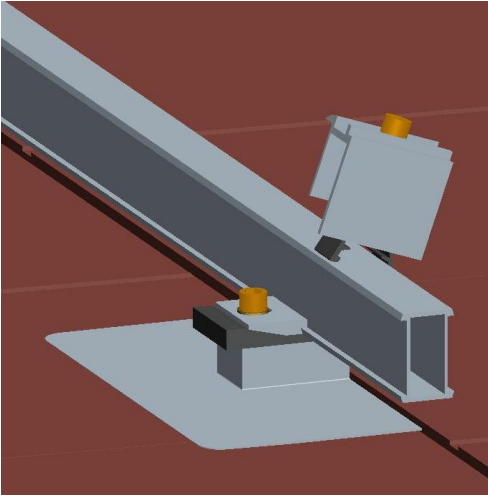
3. Attach the rail onto the rail base align with the rail base as shown in the pictures.



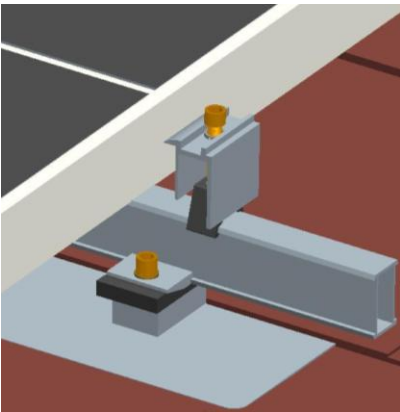
4. Fasten the locking block by placing a bolt and fastening it securely.



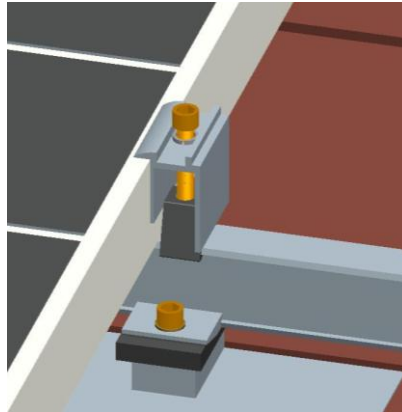
5. Attach all the rest of the rails following the same steps listed above.



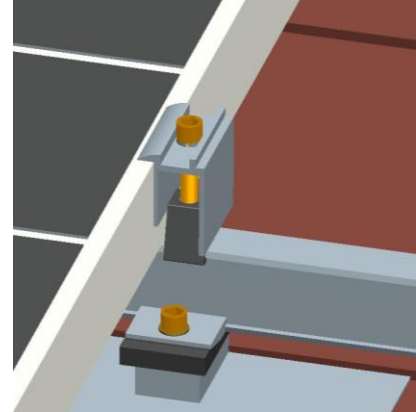
6. Attach the end of the Quick-Clamp onto the rail and lock it onto the rail as shown in the pictures.



7.1



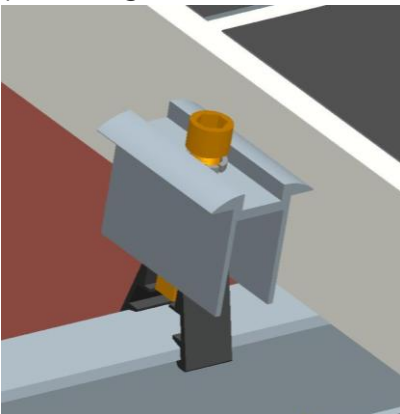
7.2



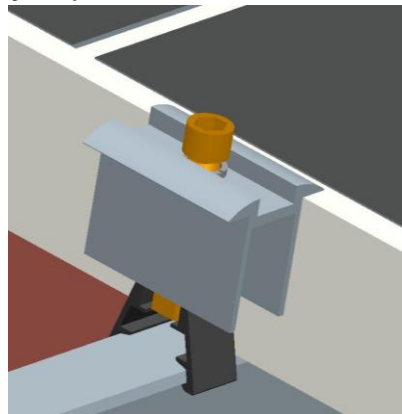
7.3

7. Put a solar panel onto the rail (as shown in 7.1) and move the end of the Quick-Clamp to the side of the solar panel (as shown in 7.2). Fasten the solar panel, the end of the Quick-Clamp and rail by tightening the bolt (as shown in 7.3).

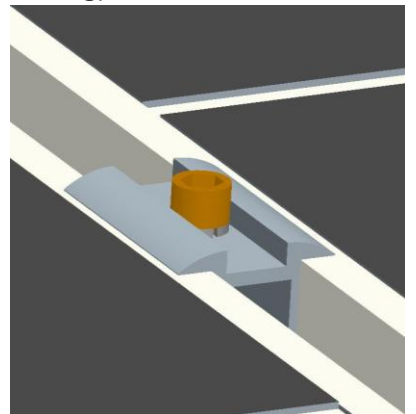
(A locking washer is necessary to prevent the bolt from loosening).



8.1

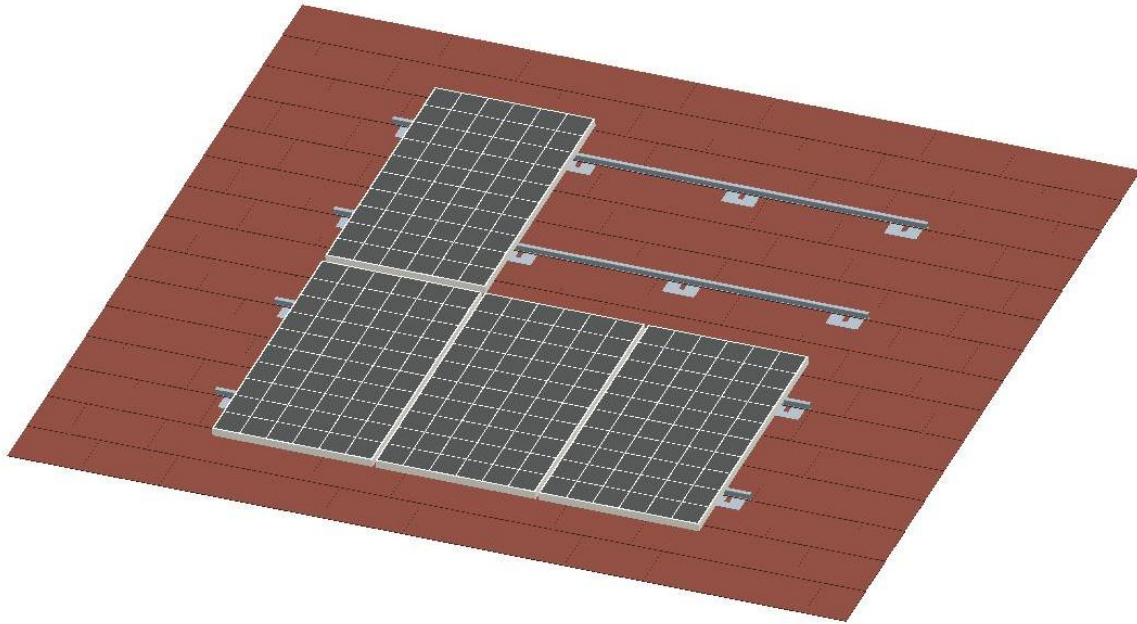


8.2

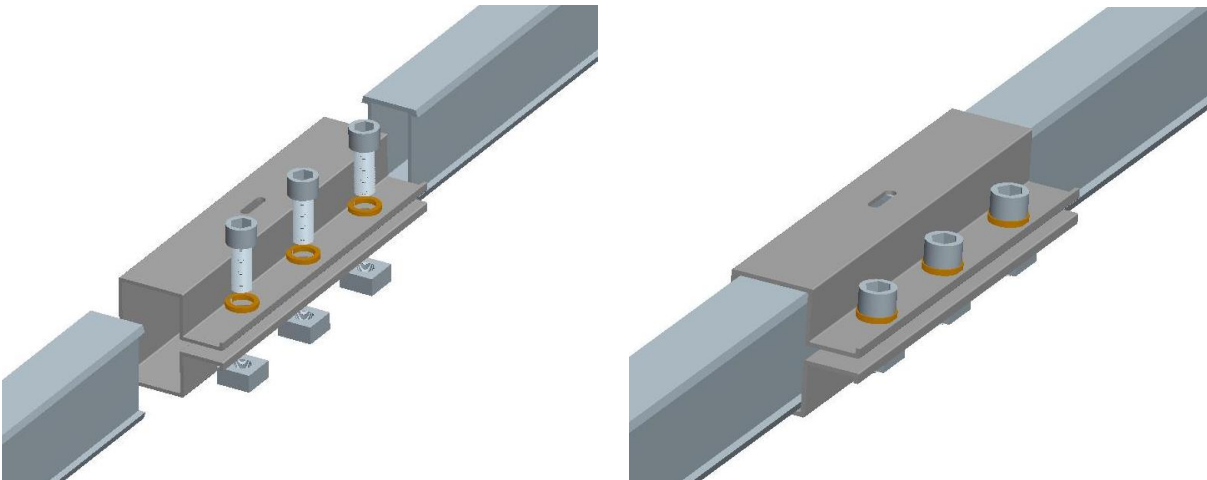


8.3

8. Lock the middle of the Quick-Clamp on the rail (as shown in 8.1) and move it to one side of a solar panel (as shown in 8.2). Put another solar panel onto the rail and move it to the middle of the Quick-Clamp and fasten the bolt to fix the two solar panels together(as shown in 8.3).



9. Install the other solar panels following the same steps as listed above.



10. An outer splice could be used to expand this system. Slide rails into the two sides of an outer splice and secure them in place with bolts and square nuts. A space of 10mm should remain between each rail.